



SCHRÖDER

MASCHINEN ZUM BIEGEN & SCHNEIDEN

Maszyny do cięcia i gięcia blach

Nożyce gilotynowe
Zaginarki



CHMIELIŃSKI

Ul. Ludowa 58, 58-304 Wałbrzych

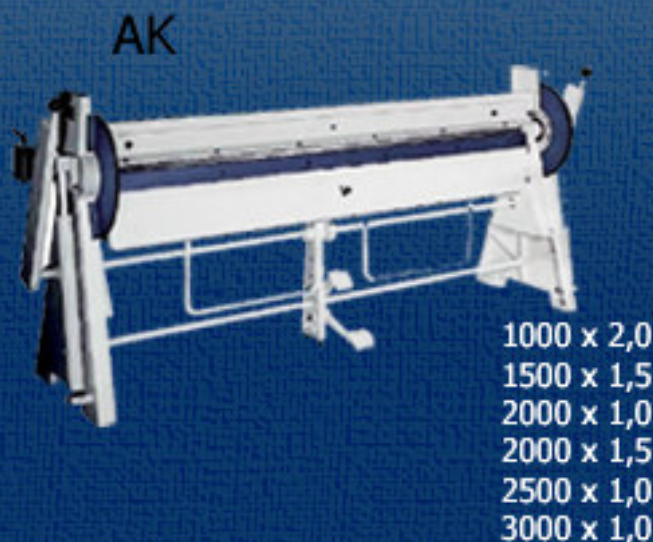
tel. + 48 (074) 886 92 60

fax + 48 (074) 886 92 61 biuro@maszyny-chmielinski.pl

NIP: 886-235-43-03 REGON:891001245



Modular



MAK V

1000 x 3,0
1500 x 2,5
2000 x 2,0
2500 x 1,5
3000 x 1,5
3200 x 1,5
4000 x 1,0



MAK II

1000 x 4,0
1000 x 5,0
1500 x 3,5
1500 x 4,0
2000 x 3,0
2000 x 3,5
2500 x 2,5
2500 x 3,0
3000 x 2,0
3000 x 2,5

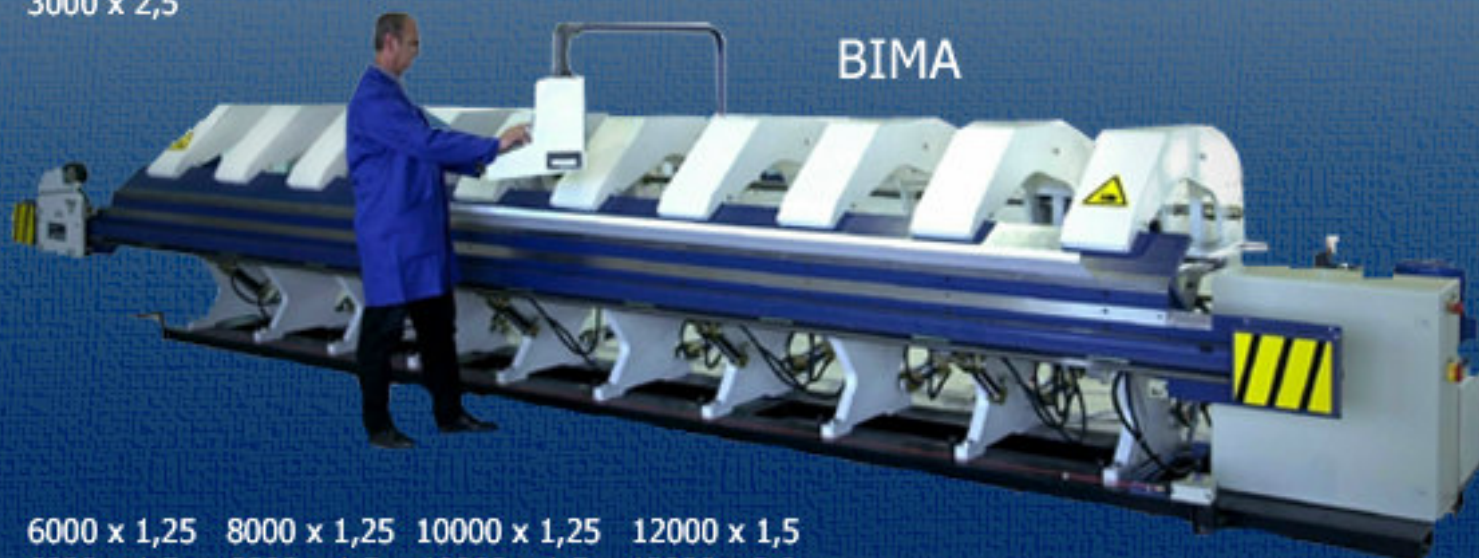


MAK 3

2000 x 4,0
2000 x 5,0
2500 x 4,0
3000 x 3,0
3000 x 4,0
3200 x 3,0
4000 x 1,5
4000 x 2,5

BIMA

6000 x 1,25	8000 x 1,25	10000 x 1,25	12000 x 1,5
6000 x 1,5	8000 x 1,5	10000 x 1,5	12000 x 2,0
6000 x 2,0	8000 x 2,0	10000 x 2,0	12000 x 3,0
6000 x 3,0	8000 x 3,0	10000 x 3,0	



IntelliBend II

3200 x 3,0
4000 x 2,5



MPB

2500 x 2,5
3200 x 2,0
4000 x 1,75



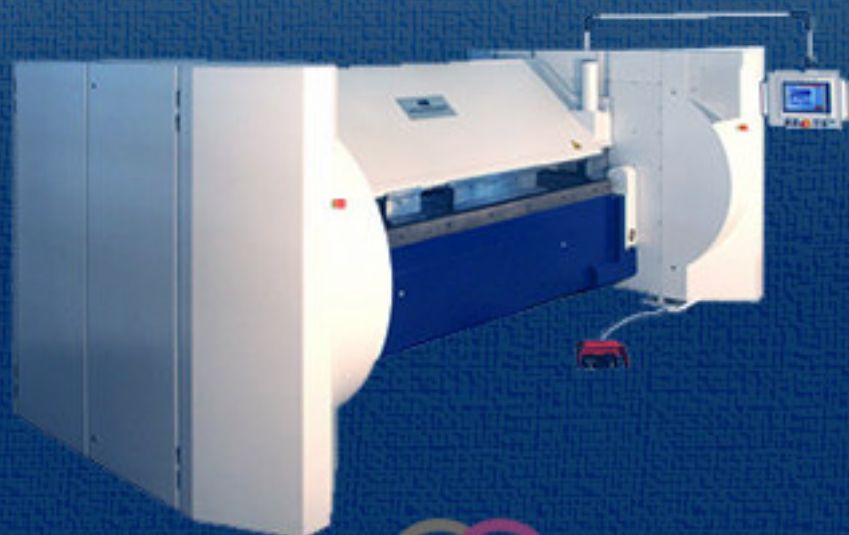
SPB

3200 x 3,0
4000 x 2,5



MAK 4

1500 x 8,0	3000 x 5,0
2000 x 6,0	3000 x 6,0
2000 x 8,0	3200 x 6,0
2500 x 5,0	4000 x 3,0
2500 x 6,0	4000 x 4,0
2500 x 8,0	4000 x 5,0
3000 x 4,0	5000 x 3,0



PDC

3200 x 3,0
4000 x 2,5



MHSU V

2000 x 4,0
2500 x 3,5
3200 x 3,0
4000 x 2,5



MSS

1000 x 5,0	2000 x 5,0	3000 x 4,0
1250 x 5,0	2500 x 4,0	3000 x 5,0
1500 x 4,5	2500 x 5,0	4000 x 3,0
		4000 x 4,0



Centrum obróbcze do rozcinania wzdłużnego i poprzecznego



KSA

- 1000 x 0,2 - 3
- 1250 x 0,2 - 3
- 1500 x 0,2 - 3

NOŻYCE MECHANICZNE

MHSU



- | | | | |
|------------|------------|------------|------------|
| 1000 x 2,0 | 1500 x 2,0 | 2000 x 1,5 | 2500 x 1,5 |
| 1000 x 2,5 | 1500 x 3,5 | 2000 x 2,0 | 2500 x 2,0 |
| 1000 x 3,5 | 1500 x 4,0 | 2000 x 2,5 | 2500 x 2,5 |
| 1000 x 4,0 | | | |
| | | 3000 x 1,5 | 3200 x 1,5 |
| | | 3000 x 2,0 | 3200 x 2,0 |